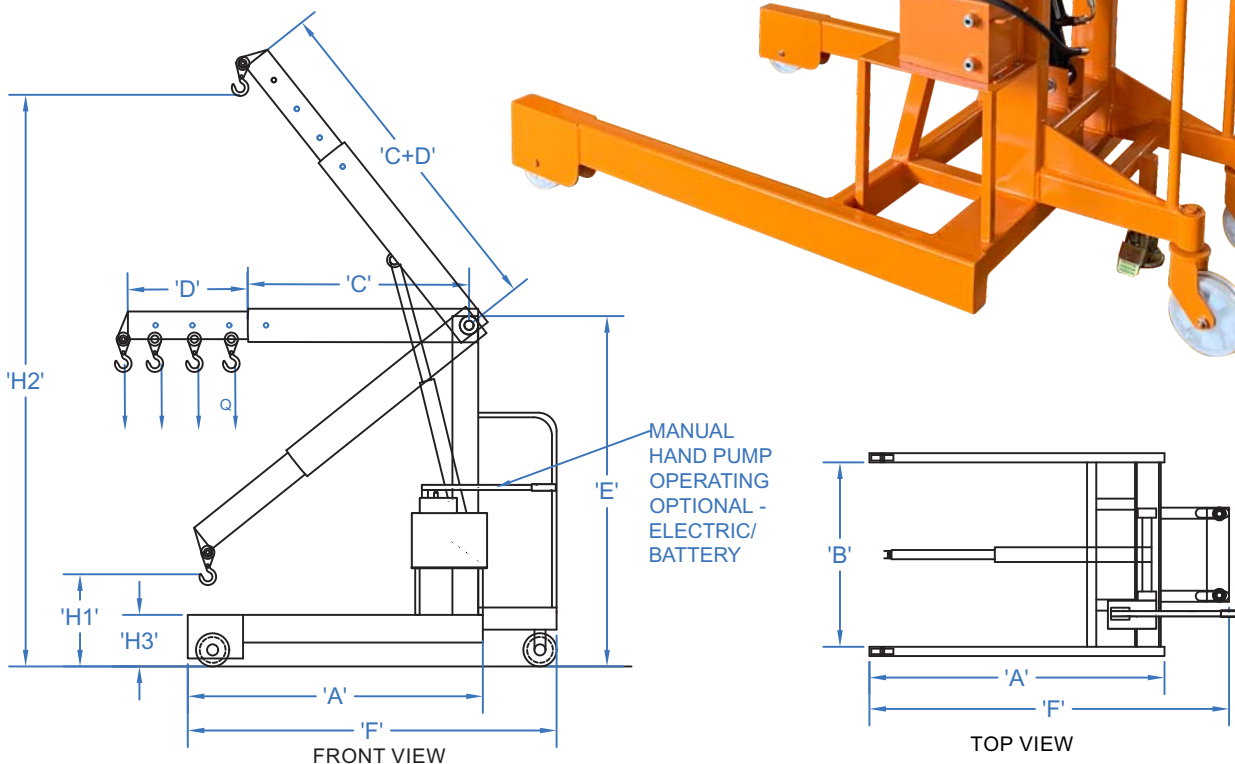


Hydraulic Mobile Floor Crane

FIPL-141

Capacity	:	Q
Leg Length	:	A
Leg Width in to In	:	B
Boom Length	:	C
Boom Extension	:	D
Overall Height	:	E
Overall Length	:	F
Min. Hook Height	:	H1
Max. Hook Height	:	H2
Leg Height	:	H3



Model	FIPL-141	
Capacity (Kg)	500 - 5000	As per requirement
Min. Hook Height H1 (mm)	500mm.	As per requirement
Max. Hook Height H2 (mm)	3100 mm.	As per requirement
Fork Width in to in B (mm)	1000 mm. (In to in)	As per requirement
Total Boom Arm Length (mm)	1850	As per requirement
Boom Extension D (mm)	650	As per requirement
Wheel Type	Nylon / PU / MS / UHMW	
Operating	Manual Hand Pump / Electric / Battery	As per requirement
Boom Extension	Manual / Hydraulic	As per requirement
Features	<ul style="list-style-type: none"> - It has easy maintenance and minimal running cost - Extendable boom to lift the load from distant points - Floor Crane can be moved to any conjusted space for lifting heavy objects 	

Note: There may be any specification/dimensional change. If these specifications are critical, the proposed application should be discussed.