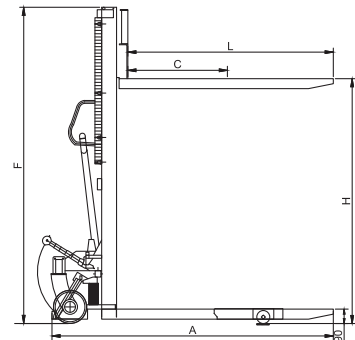
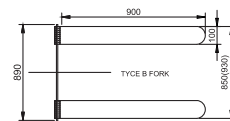
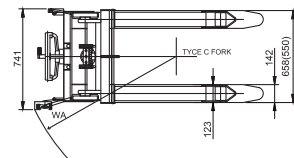


Manual Hydraulic Stacker

FIPL-MST-111



MODEL	FIPL-MST-111/10/15	FIPL-MST-111/20
Rated lifting capacity (kg)	1000/1500	2000
Max. Lifting height H (mm)	1600/2000	1600/2000
Lowered height of forks (mm)	90	90
Fork length L (mm)	900/1150	900/1150
Adjustable width of forks (mm)	300-580	300-780
Lifting speed (mm / stroke)	20	14
Lowering speed (mm /stroke)	Controllable	Controllable
Front wheel size (mm)	80 x 70	80 x 93
Rear wheel size (mm)	180 x 50	180 x 50
Overall size (mm)	2050 x 780 x 1650	2030 x 830 x 1500

Note: There may be any specification/dimensional change. If these specifications are critical, the proposed application should be discussed.