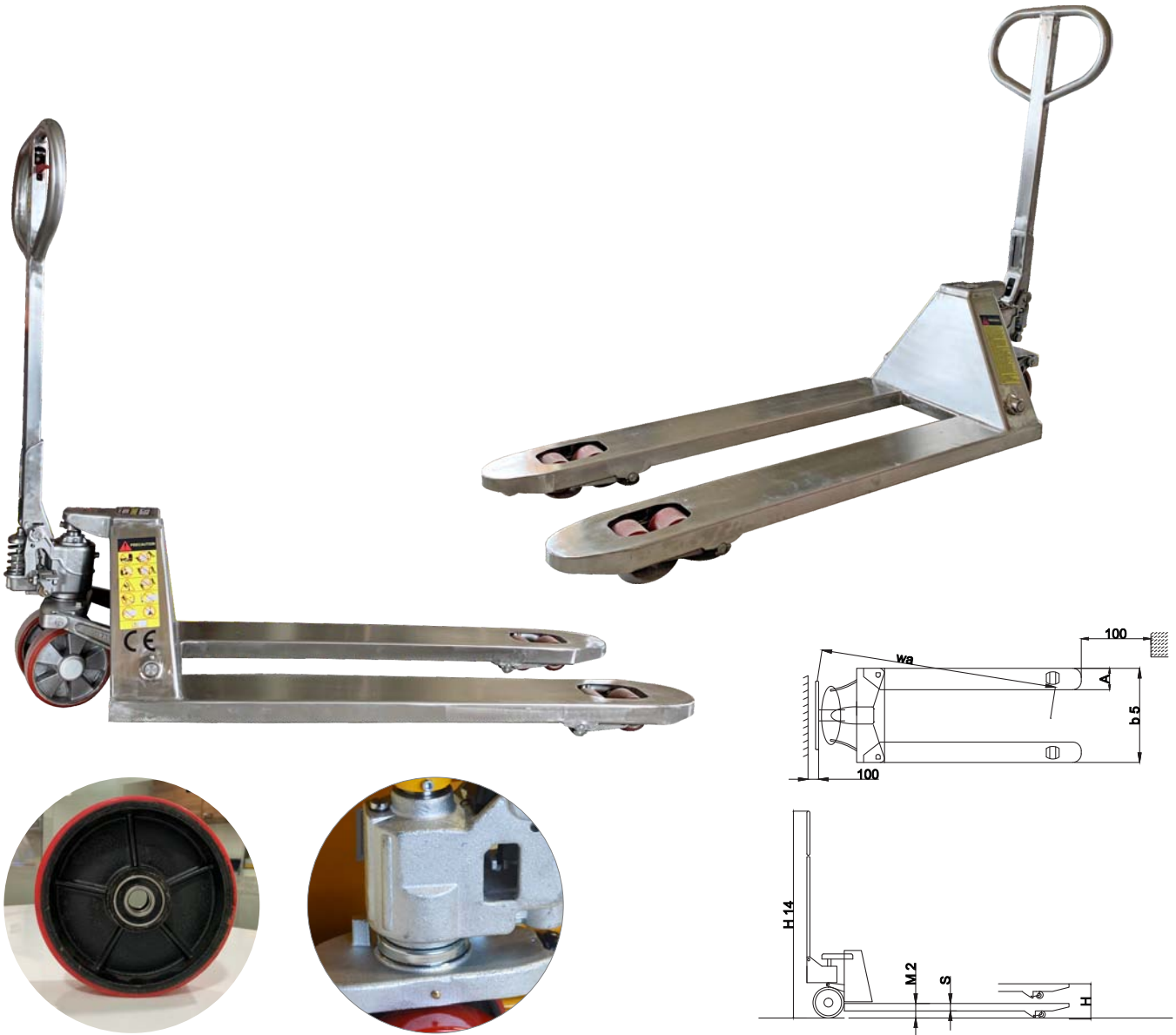


Stainless Steel Pallet Truck

FIPL-SSHPT-104



Model	FIPL-SSHPT-104-20	FIPL-SSHPT-104-25	FIPL-SSHPT-104-30	FIPL-SSHPT-104-50
Capacity (kg)	2000	2500	3000	5000
Min. fork height M2 (mm)	65/75/85	65/75/85	75/85	80/90
Max. fork height H (mm)	175/185/195	175/185/195	185/195	190/200
Lifting height (mm)	110	110	110	110
Fork length (mm)	1150/1220	1150/1220	1150/1220	1150/1220
Single fork width A (mm)	160	160	160	160
With over all forks b5 (mm)	550/685	550/685	550/685	550/685
Fork wheel – single (mm)	80x93/74x93	80x93/74x93	80x93/74x93	80x93/74x93
Fork wheel – tandem (mm)	80x70	80x70	80x70	80x70
Steering wheel (mm)	180x50	180x50	180x50	180x50
Self weight (kg)	60-65	73-92	80-90	120-130
Qty 20 feet container (pcs)	180/144	180/144	180/144	180/144

Note: There may be any specification/dimensional change. If these specifications are critical, the proposed application should be discussed.